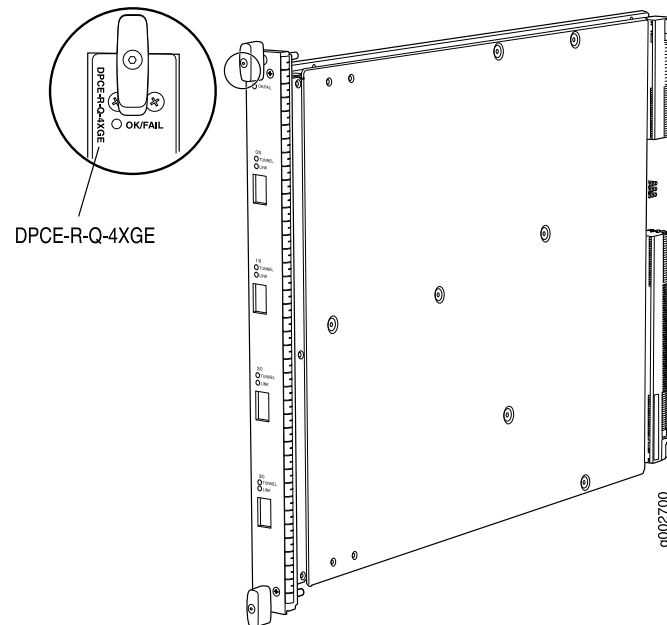


10-Gigabit Ethernet Enhanced Queuing IP Services DPC with XFP



Software release	<ul style="list-style-type: none"> Junos OS Release 8.5 and later End-of-life (see notification PSN-2011-07-314)
Description	<ul style="list-style-type: none"> Four 10-Gigabit Ethernet ports Power requirement: 6.87 A @ 48 V (330 W) Weight: 13.1 lb (5.9 kg) Model number: DPCE-R-Q-4XGE-XFP Name in the CLI: DPCE 4x 10GE R EQ
Hardware features	<ul style="list-style-type: none"> High-performance throughput on each port at speeds up to 10 Gbps WAN-PHY mode at 9.953 Gbps LAN-PHY mode at 10.3125 Gbps Full-duplex mode Maximum transmission units (MTUs) of up to 9192 bytes Enhanced ASICs for increased performance and scalability of Layer 2 features
Software features	<ul style="list-style-type: none"> Configurable WAN-PHY mode options See "Protocols and Applications Supported by Enhanced Queuing IP Services DPCs (DPCE-R-Q)" on page 307 for information about the protocols and applications that this DPC supports.
Interfaces	<p>Syntax: <code>xe-fpc/pic/port</code> where:</p> <ul style="list-style-type: none"> fpc: Slot in the router where the DPC is installed pic: 0 through 3 port: 0 <p>For example, <code>xe-1/0/0</code> is the interface for the first port on a DPC installed in slot 1.</p>

Cables and connectors **TIP:** You can use the [Hardware Compatibility Tool](#) to find information about the pluggable transceivers supported on your Juniper Networks device.

The list of supported transceivers for the MX Series is located at <https://pathfinder.juniper.net/hct/category/#catKey=100001&modelType;=All&pf;=MX+Series>.

You can install any transceiver supported by the DPC. For information about installing and removing transceivers, see the hardware guide for your router.

LEDs**OK/FAIL LED**, one bicolor:

- Steady green—DPC is functioning normally.
- Blinking green—DPC is transitioning online or offline.
- Red—DPC has failed.

TUNNEL LED, one green per port:

- Off—Normal operating mode.
- On steadily—Port configured in tunnel mode.

LINK LED, one green per port:

- Off—No link.
- On steadily—Link is active.

The **TUNNEL** and **LINK** LEDs are labeled top to bottom **0/0** through **3/0**.
