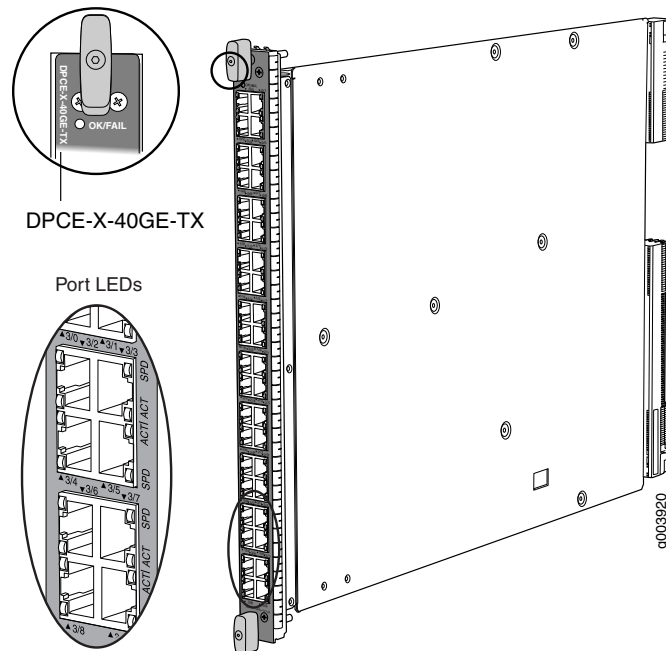


Tri-Rate Enhanced Ethernet Services DPC



Software release	<ul style="list-style-type: none"> Junos OS Release 9.1 and later EOL (see PSN-2009-06-400)
Description	<ul style="list-style-type: none"> 40 autonegotiating 10BASE-T, 100.BASE-TX, or 1000BASE-T Megabit Ethernet ports Power requirement: 6.67 A @ 48 V (320 W) Weight: 14.5 lb (6.6 kg) Supports large Ethernet frame sizes for more efficient throughput across the intra-POP network Model number: DPCE-X-40GE-TX Name in the CLI:
Hardware features	<ul style="list-style-type: none"> High-performance throughput on each port at speeds of 10 Mbps, 100 Mbps, or 1000 Mbps Autonegotiation between Gigabit Ethernet circuit partners Full-duplex mode Maximum transmission units (MTUs) of up to 9192 bytes Enhanced ASICs for increased performance and scalability of Layer 2 features
Software features	<ul style="list-style-type: none"> See "Protocols and Applications Supported by Enhanced Ethernet Services DPCs (DPCE-X)" on page 303 for information about the protocols and applications that this DPC supports.
Interfaces	<p>Syntax: <code>ge-fpc/pic/port</code> where:</p> <ul style="list-style-type: none"> fpc: Slot in the router where the DPC is installed pic: Grouping of 10-ports, numbered 0 through 3 port: 0 through 9 <p>For example, <code>ge-1/3/0</code> is the interface for port 0 (labeled 3/0) in the right-most grouping of ports on a DPC installed in slot 1.</p>

Cables and connectors **TIP:** You can use the [Hardware Compatibility Tool](#) to find information about the pluggable transceivers supported on your Juniper Networks device.

The list of supported transceivers for the MX Series is located at <https://pathfinder.juniper.net/hct/category/#catKey=100001&modelType;=All&pf;=MX+Series>.

- Connector: Four-pair, Category 5 shielded twisted-pair connectivity through an RJ-45 connector
- Pinout:
 - Junos OS Release 9.1: MDI
 - Junos OS Release 9.2 and later: MDI, MDI crossover
- Maximum distance: 328 ft/100 m

CAUTION: Do not use RJ-45 cables with strain-relief boots exceeding 1.5 mm from the bottom of the connector. Cable boots that exceed this measurement can damage the port.

LEDs

OK/FAIL LED, one bicolor:

- Steady green—DPC is functioning normally.
- Blinking green—DPC is transitioning online or offline.
- Red—DPC has failed.

ACT LED, one green per port:

- Off—No active traffic.
- Blinking—Link is active.

SPD LED, one bicolor:

- Green—DPC is functioning in 1000BASE-T mode.
- Yellow—DPC is functioning in 10BASE-T or 100BASE-TX mode.
- Off—No link.

The **ACT** and **SPD** LEDs are located on either side of the ports labeled horizontally and top to bottom 0/0 through 3/9.

Related Documentation

- [MX Series DPC Overview on page 7](#)
- [DPCs Supported on MX240, MX480, and MX960 Routers on page 8](#)