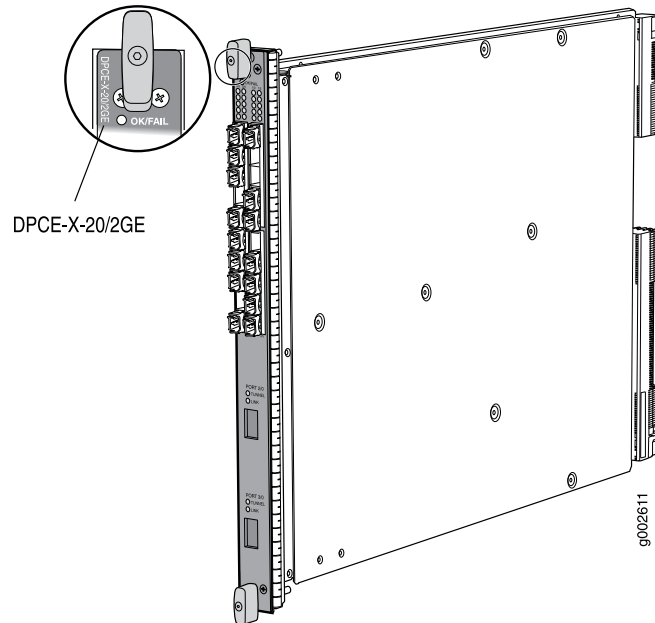


Multi-Rate Ethernet Enhanced Ethernet Services DPC with SFP and XFP



Software release	<ul style="list-style-type: none"> Junos OS Release 9.2 and later End-of-life (see notification PSN-2011-07-314)
Description	<ul style="list-style-type: none"> 20 Gigabit Ethernet ports 2 10-Gigabit Ethernet ports Power requirement: 6.94 A @ 48 V (333 W) Weight: 13.1 lb (5.9 kg) Supports large Ethernet frame sizes for more efficient throughput across the intra-POP network Model number: DPCE-X-20GE-2XGE Name in the CLI: DPCE 20x 1GE + 2x 10GE X
Hardware features	<ul style="list-style-type: none"> SFP ports: <ul style="list-style-type: none"> High-performance throughput on each port at speeds up to 1 Gbps XFP ports: <ul style="list-style-type: none"> High-performance throughput on each port at speeds up to 10 Gbps WAN-PHY mode at 9.953 Gbps LAN-PHY mode at 10.3125 Gbps Full-duplex mode Maximum transmission units (MTUs) of up to 9192 bytes Enhanced ASICs for increased performance and scalability of Layer 2 features
Software features	<ul style="list-style-type: none"> Configurable WAN-PHY mode options Optical diagnostics and related alarms See "Protocols and Applications Supported by Enhanced Ethernet Services DPCs (DPCE-X)" on page 303 for information about the protocols and applications that this DPC supports.

Interfaces	<p>Syntax: <i>mediatype-fpc/pic/port</i> where:</p> <ul style="list-style-type: none">mediatype: ge or xefpc: Slot in the router where the DPC is installedpic:<ul style="list-style-type: none">ge: 0 or 1xe: 2 or 3port:<ul style="list-style-type: none">ge: 0 through 9xe: 0 <p>For example, xe-1/3/0 is the interface for the port labeled PORT 3/0 on a DPC installed in slot 1.</p>
------------	--

Cables and connectors	<p>TIP: You can use the Hardware Compatibility Tool to find information about the pluggable transceivers supported on your Juniper Networks device.</p> <p>The list of supported transceivers for the MX Series is located at https://pathfinder.juniper.net/hct/category/#catKey=100001&modelType;=All&pf;=MX+Series.</p> <p>You can install any transceiver supported by the DPC. For information about installing and removing transceivers, see the hardware guide for your router.</p>
-----------------------	--

LEDs	<p>OK/FAIL LED, one bicolor:</p> <ul style="list-style-type: none">Steady green—DPC is functioning normally.Blinking green—DPC is transitioning online or offline.Red—DPC has failed. <p>LINK LED, one green per port:</p> <ul style="list-style-type: none">Off—No link.On steadily—Link is active. <p>TUNNEL LED, one green per XFP port:</p> <ul style="list-style-type: none">Off—Normal operating mode.On steadily—Port configured in tunnel mode. <p>The SFP Link LEDs are labeled in groups of five:</p> <ul style="list-style-type: none">0/0 for 0/0 through 0/40/5 for 0/5 through 0/91/0 for 1/0 through 1/41/5 for 1/5 through 1/9 <p>The XFP ports are labeled top to bottom 2/0 and 3/0.</p>
------	--

Related Documentation

- [MX Series DPC Overview on page 7](#)
- [DPCs Supported on MX240, MX480, and MX960 Routers on page 8](#)