

## 10-Gigabit Ethernet Enhanced DPCs with XFP

Figure 5: 2-Port 10-Gigabit Ethernet Enhanced DPC with XFP

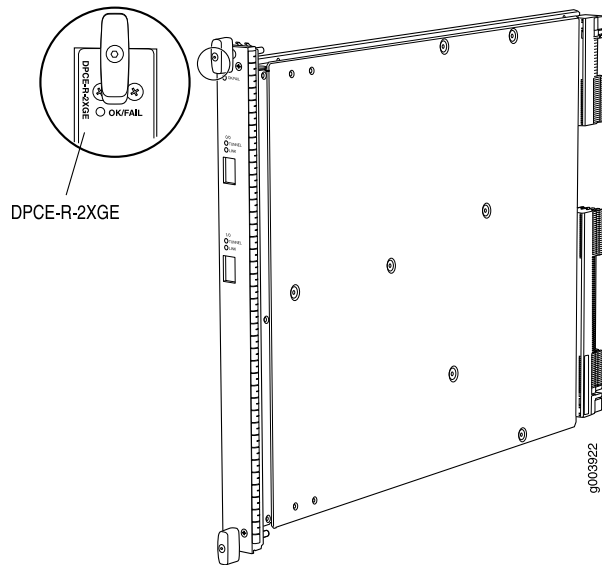
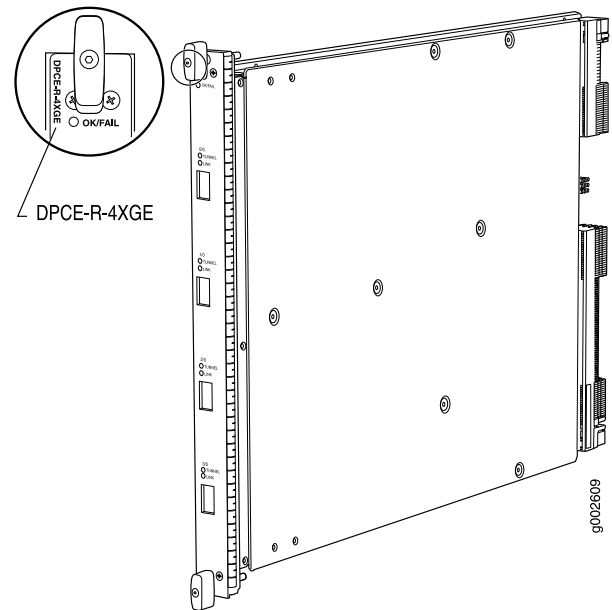


Figure 6: 4-Port 10-Gigabit Ethernet Enhanced DPC with XFP



- |                  |   |
|------------------|---|
| Software release | <ul style="list-style-type: none"> <li>2-port: Junos OS Release 9.1 and later<br/>End-of-life (see notification <a href="#">PSN-2011-02-314</a>)</li> <li>4-port: Junos OS Release 8.4 and later</li> </ul> |
|------------------|---|

- |             |  |
|-------------|--|
| Description | <p>2-port:</p> <ul style="list-style-type: none"> <li>Two 10-Gigabit Ethernet ports</li> <li>Power requirement: 3.65 A @ 48 V (175 W)</li> <li>Weight: 12 lb (5.4 kg)</li> <li>Model number: DPCE-R-2XGE-XFP</li> <li>Name in the CLI: DPCE 2x 10GE R</li> </ul> <p>4-port:</p> <ul style="list-style-type: none"> <li>Four 10-Gigabit Ethernet ports</li> <li>Power requirement: 6.46 A @ 48 V (310 W)</li> <li>Weight: 13.1 lb (5.9 kg)</li> <li>Model number: DPCE-R-4XGE-XFP</li> <li>Name in the CLI: DPCE 4x 10GE R</li> </ul> |
|-------------|--|

Hardware features	<ul style="list-style-type: none"> <li>• High-performance throughput on each port at speeds up to 10 Gbps</li> <li>• WAN-PHY mode at 9.953 Gbps</li> <li>• LAN-PHY mode at 10.3125 Gbps</li> <li>• Full-duplex mode</li> <li>• Maximum transmission units (MTUs) of up to 9192 bytes</li> <li>• Enhanced ASICs for increased performance and scalability of Layer 2 features</li> </ul>
Software features	<ul style="list-style-type: none"> <li>• Configurable WAN-PHY mode options</li> <li>• See “<a href="#">Protocols and Applications Supported by DPCs and Enhanced DPCs (DPC and DPCE-R)</a>” on <a href="#">page 297</a> for information about the protocols and applications that these DPCs support.</li> </ul>
Interfaces	<p>Syntax: <i>xe-fpc/pic/port</i> where:</p> <ul style="list-style-type: none"> <li>• fpc: Slot in the router where the DPC is installed</li> <li>• pic: <ul style="list-style-type: none"> <li>• 2-port: 0 or 1</li> <li>• 4-port: 0 through 3</li> </ul> </li> <li>• port: 0</li> </ul> <p>For example, <i>xe-1/0/0</i> is the interface for the first port on a DPC installed in slot 1.</p>
Cables and connectors	<p><b>TIP:</b> You can use the <a href="#">Hardware Compatibility Tool</a> to find information about the pluggable transceivers supported on your Juniper Networks device.</p> <p>The list of supported transceivers for the MX Series is located at <a href="https://pathfinder.juniper.net/hct/category/#catKey=100001&amp;modelType;=All&amp;pf;=MX+Series">https://pathfinder.juniper.net/hct/category/#catKey=100001&amp;modelType;=All&amp;pf;=MX+Series</a>.</p> <p>You can install any transceiver supported by the DPC. For information about installing and removing transceivers, see the hardware guide for your router.</p>
LEDs	<p><b>OK/FAIL LED</b>, one bicolor:</p> <ul style="list-style-type: none"> <li>• Steady green—DPC is functioning normally.</li> <li>• Blinking green—DPC is transitioning online or offline.</li> <li>• Red—DPC has failed.</li> </ul> <p><b>TUNNEL LED</b>, one green per port:</p> <ul style="list-style-type: none"> <li>• Off—Normal operating mode.</li> <li>• On steadily—Port configured in tunnel mode.</li> </ul> <p><b>LINK LED</b>, one green per port:</p> <ul style="list-style-type: none"> <li>• Off—No link.</li> <li>• On steadily—Link is active.</li> </ul> <p>The <b>TUNNEL</b> and <b>LINK</b> LEDs are labeled top to bottom:</p> <ul style="list-style-type: none"> <li>• 2-port: <b>0/0</b> through <b>1/0</b></li> <li>• 4-port: <b>0/0</b> through <b>3/0</b></li> </ul>