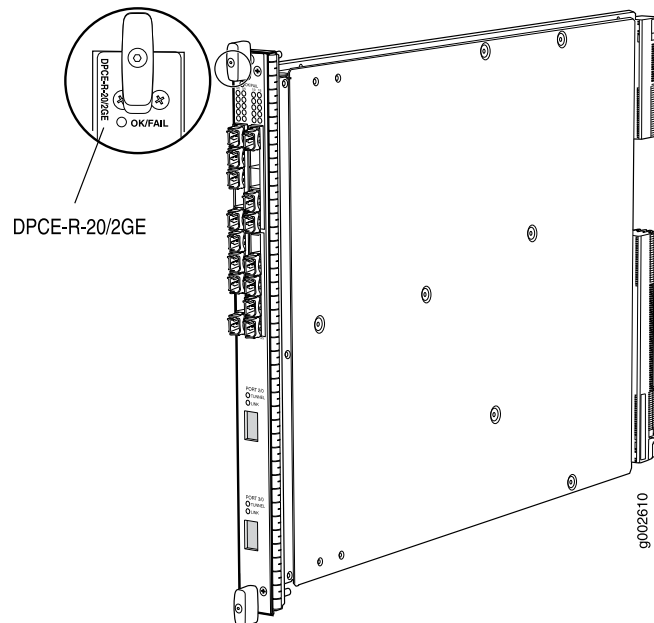


Multi-Rate Ethernet Enhanced DPC with SFP and XFP



Software release	<ul style="list-style-type: none"> Junos OS Release 9.2 and later
Description	<ul style="list-style-type: none"> 20 Gigabit Ethernet ports 2 10-Gigabit Ethernet ports Power requirement: 6.94 A @ 48 V (333 W) Weight: 13.1 lb (5.9 kg) Supports large Ethernet frame sizes for more efficient throughput across the intra-POP network Model number: DPCE-R-20GE-2XGE Name in the CLI: DPCE 20x 1GE + 2x 10GE R
Hardware features	<ul style="list-style-type: none"> SFP ports: <ul style="list-style-type: none"> High-performance throughput on each port at speeds up to 1 Gbps XFP ports: <ul style="list-style-type: none"> High-performance throughput on each port at speeds up to 10 Gbps WAN-PHY mode at 9.953 Gbps LAN-PHY mode at 10.3125 Gbps Autonegotiation between Gigabit Ethernet circuit partners Full-duplex mode Maximum transmission units (MTUs) of up to 9192 bytes Enhanced ASICs for increased performance and scalability of Layer 2 features
Software features	<ul style="list-style-type: none"> Configurable WAN-PHY mode options Optical diagnostics and related alarms See "Protocols and Applications Supported by DPCs and Enhanced DPCs (DPC and DPCE-R)" on page 297 for information about the protocols and applications that this DPC supports.

Interfaces	<p>Syntax: <i>mediatype-fpc/pic/port</i> where:</p> <ul style="list-style-type: none">• mediatype: ge or xe• fpc: Slot in the router where the DPC is installed• pic:<ul style="list-style-type: none">• ge: 0 or 1• xe: 2 or 3• port:<ul style="list-style-type: none">• ge: 0 through 9• xe: 0 <p>For example, xe-1/3/0 is the interface for the port labeled PORT 3/0 on a DPC installed in slot 1.</p>
Cables and connectors	<p>TIP: You can use the Hardware Compatibility Tool to find information about the pluggable transceivers supported on your Juniper Networks device.</p> <p>The list of supported transceivers for the MX Series is located at https://pathfinder.juniper.net/hct/category/#catKey=100001&modelType;=All&pf;=MX+Series.</p> <p>You can install any transceiver supported by the DPC. For information about installing and removing transceivers, see the hardware guide for your router.</p>
LEDs	<p>OK/FAIL LED, one bicolor:</p> <ul style="list-style-type: none">• Steady green—DPC is functioning normally.• Blinking green—DPC is transitioning online or offline.• Red—DPC has failed. <p>LINK LED, one green per port:</p> <ul style="list-style-type: none">• Off—No link.• On steadily—Link is active. <p>TUNNEL LED, one green per XFP port:</p> <ul style="list-style-type: none">• Off—Normal operating mode.• On steadily—Port configured in tunnel mode. <p>The SFP Link LEDs are labeled in groups of five:</p> <ul style="list-style-type: none">• 0/0 for 0/0 through 0/4• 0/5 for 0/5 through 0/9• 1/0 for 1/0 through 1/4• 1/5 for 1/5 through 1/9 <p>The XFP ports are labeled top to bottom 2/0 and 3/0.</p>